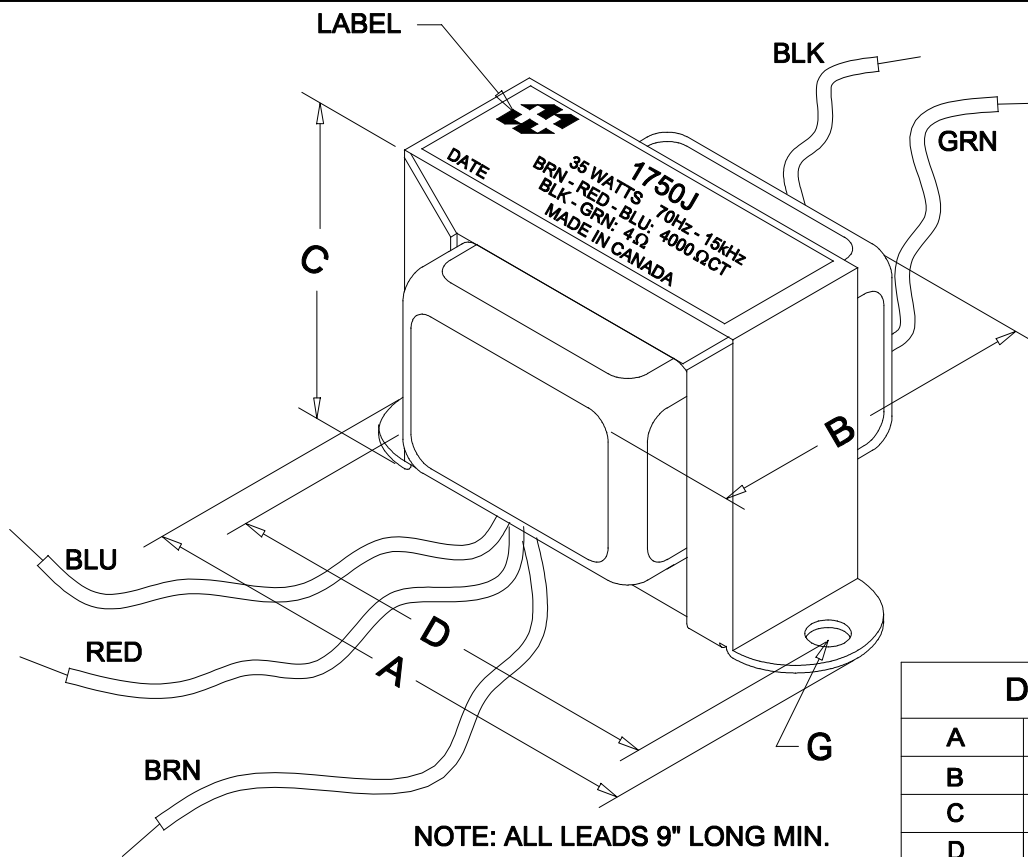


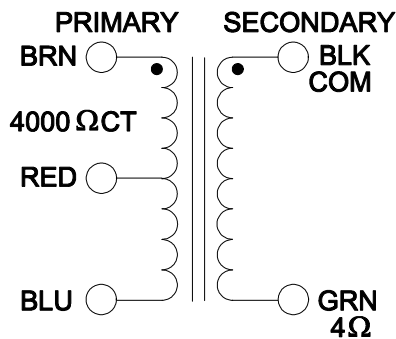
1750J



NOTE: ALL LEADS 9" LONG MIN.

DIMENSIONS:

A	4.076" ±0.063
B	3.170" ±0.125
C	3.450" ±0.063
D	3.500" ±0.063
E	2.580" ±0.063
F	3.125" ±0.063
G	0.187"X 0.300" ±0.015



ELECTRICAL DATA:

Turns ratio:	31.11 : 1
Inductance	@240V,60Hz =>90.95H (Open circuit)
DCR	@ 20C, BRN - BLU =185.0 Ω ±20% @ 20C, BLK - GRN =0.40 Ω ±20%
FREQ. RESP	@ 35W(374.1V), 70Hz - 15kHz, BRN - BLU±1db(1kHz REF.)
Pri. Impedance	4000 Ω CT (374.1V)
Sec. Impedance	4 Ω (11.83V)
Power	35 WATTS



**HAMMOND
ELECTRONICS**

52 RANKIN PLACE,
WATERLOO, ONTARIO, N2L 3Z5.
PHONE (519) 886-6181
FAX # (519) 886-9540

TITLE **OUTPUT TRANSFORMER**

			DR BY IOAN POP
0	05/11/09	PRELIMINARY.	I.P. DATE 05/11/09
NO	DATE	REVISION	DIM IN(X)MM()

1750J