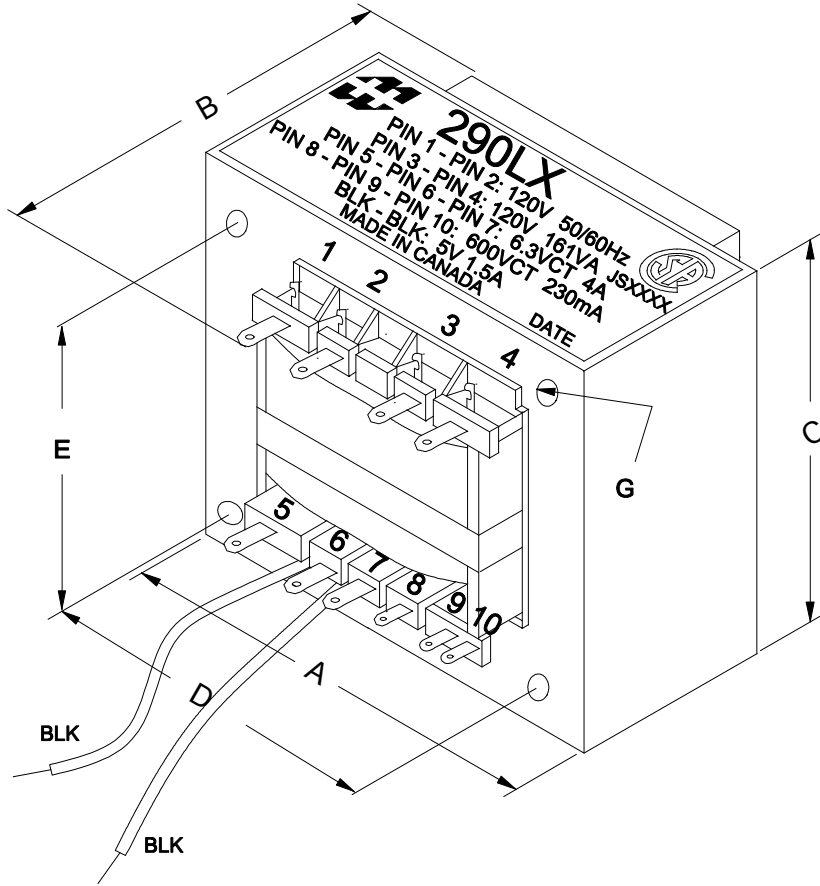


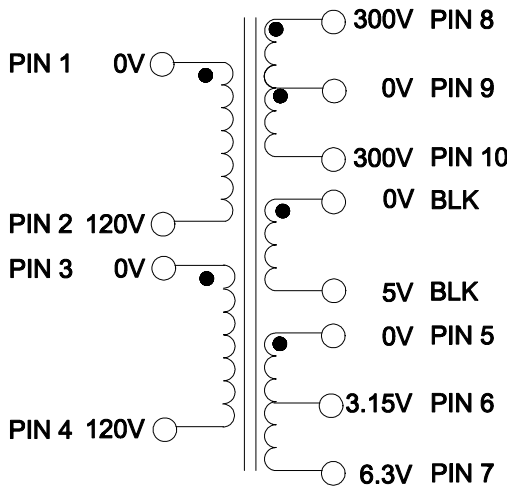
290LX



DIMENSIONS:

A	3.780" ±0.063
B	4.050" ±0.063
C	3.160" ±0.063
D	3.150" ±0.063
E	2.510" ±0.063
G	0.215" ±0.010

PRIMARY SECONDARY



ELECTRICAL DATA:

Turns ratio:	1 : 5.49 (PIN8 - PIN10)	
Exciting Current	@ 120V, 60Hz, Pin 1 - Pin 2 = 220 mA	Max.
DCR	@ 20C, Pin 1 - Pin 2 = 3.42 Ω	±20%
	@ 20C, Pin 3 - Pin 4 = 3.92 Ω	±20%
	@ 20C, Pin 8 - Pin 10 = 77.8 Ω	±20%
	@ 20C, BLK - BLK = 0.088 Ω	±20%
	@ 20C, Pin 5 - Pin 7 = 0.047 Ω	±20%
Pri. Voltage	120V/240V 50/60Hz	
Sec. Voltage (RMS)	600VCT @ 230mA/5V @ 1.5A/6.3VCT @ 4A	
No Load Voltage	659.26V / 5.39V / 6.86V	



**HAMMOND
ELECTRONICS**

52 RANKIN PLACE,
WATERLOO, ONTARIO, N2L 3Z5.
PHONE (519) 886-6181
FAX # (519) 886-9540

TITLE

POWER TRANSFORMER

290LX

			DR BY IOAN POP
1	08/11/09	PRELIMINARY.	I.P. DATE 05/12/09
NO	DATE	REVISION	DIM IN(X)MM()