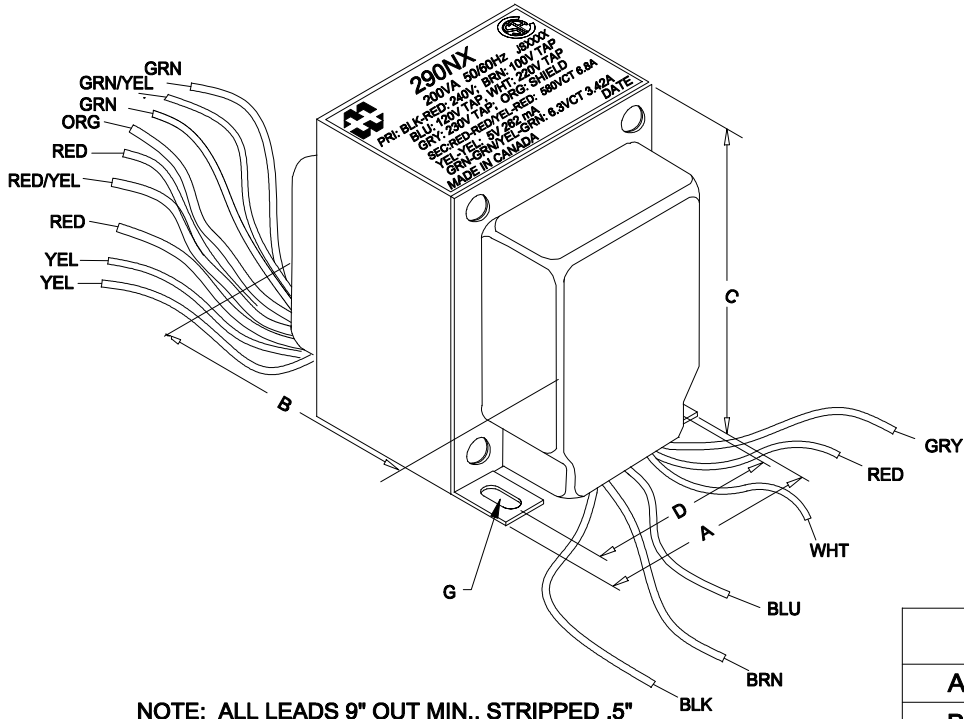
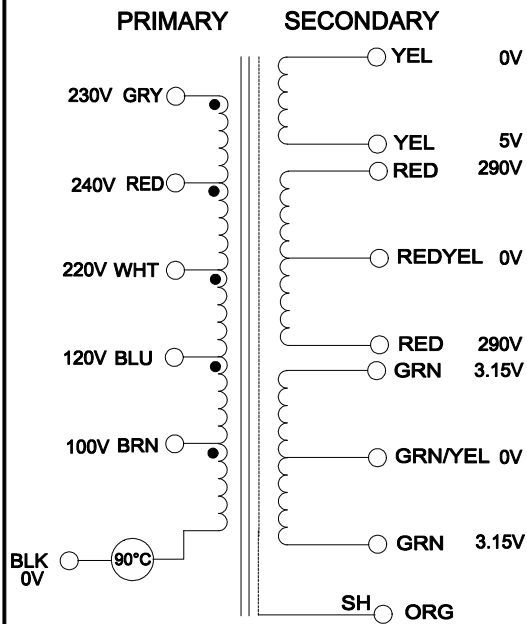


290NX



NOTE: ALL LEADS 9" OUT MIN., STRIPPED .5"

DIMENSIONS:	
A	4.390" ±0.063
B	4.700" ±MAX
C	5.260" ±0.063
D	3.520" ±0.063
G	0.280"X0.400" ±0.063



**ELECTRICAL DATA:**

Turns ratio:	47.73 :1 ( YEL - YEL )
Exciting Current	@ 100V, 60Hz, BLK - BRN = 212mA Max.
DCR	@ 20C, BLK - BRN = 1.53 Ω ±20%
	@ 20C, BRN - BLU = 0.30 Ω ±20%
	@ 20C, BLU - WHT = 3.41 Ω ±20%
	@ 20C, WHT - RED = 0.69 Ω ±20%
	@ 20C, RED - GRY = 0.35 Ω ±20%
	@ 20C, RED - RED = 68.3 Ω ±20%
@ 20C, YEL - YEL = 0.06 Ω ±20%	
@ 20C, GRN - GRN = 0.04 Ω ±20%	
Pri. Voltage	100/120/220/230/240V 50/60Hz
Sec. Voltage (RMS)	580VCT @ 262mA / 5.0V @ 6.8A / 6.3VCT @ 3.42A
No Load Voltage	567.77VCT / 5.29V / 6.4V

**HAMMOND ELECTRONICS**  
 52 RANKIN PLACE,  
 WATERLOO, ONTARIO, N2L 3Z5.  
 PHONE (519) 886-6181  
 FAX # (519) 886-9540

TITLE **Power Transformer**

2	01/25/10	Corrected Sec data	DR BY IOAN POP
1	08/11/09	RELEASED	DATE 05/12/09
NO	DATE	REVISION	DIM IN(X)MM( )

290NX