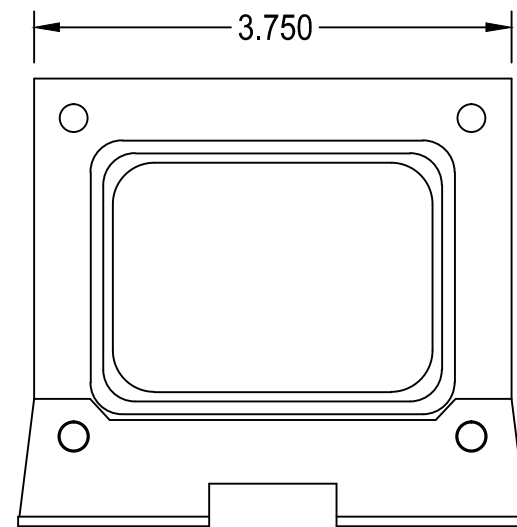
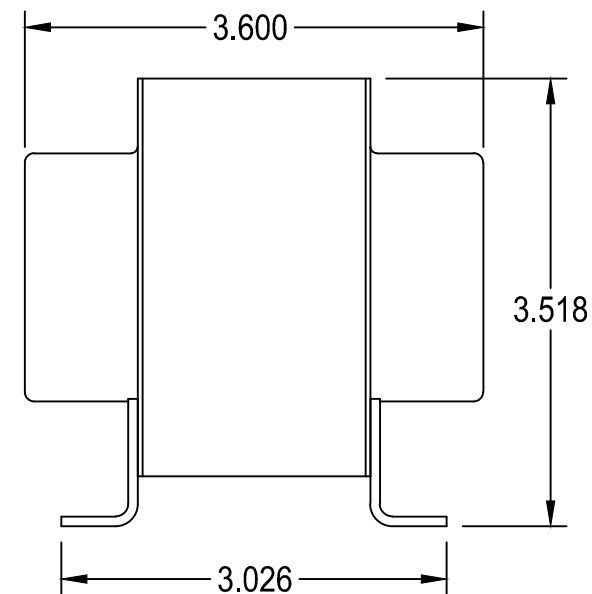


HAMMOND MANUFACTURING.
1750WR
 PRIMARY
 BRN - RED - BLU: 2000ΩCT
 BRN/YEL - RED = RED - BLU/YEL ULTRA LINEAR TAPS
 SECONDARY
 BLK - GRN/YEL: 4Ω
 BLK - GRN: 8Ω
 135W 40Hz - 15kHz
 MADE IN CANADA



LEADS NOT SHOWN IN DIMENSIONAL DRAWING



ELECTRICAL DATA		
TESTS	CONDITIONS	ACCEPTANCE CRITERIA
Zp	BLUE - BROWN 20% ULTRA-LINEAR TAPS RED - BRN/YEL = RED - BLU/YEL	2000 ΩCT
Zs	BLACK - GREEN/YELLOW	4 ΩCT
Zs	BLACK - GREEN	8 ΩCT
	@ 20°C, BLUE - RED =	32.0 Ω ±20%
	@ 20°C, BROWN - RED =	32.0 Ω ±20%
DCR	@ 20°C, BLACK - GRN/YEL =	0.165 Ω ±20%
	@ 20°C, BLACK - GREEN =	0.240 Ω ±20%
	FREQUENCY RESPONSE 40Hz TO 15kHz =	±1db (1 kHz REF.)
HIPOT	PRIMARY - SECONDARY	2000V, 60Hz, 1 SEC
	PRIMARY - CORE	2000V, 60Hz, 1 SEC
	SECONDARY - CORE	600V, 60Hz, 1 SEC

EQUIVILANT TO FENDER 013691
 FOR BASSMAN 135
 TWIN REVERB
 VIBROSONIC REVERB

PROPERTY AND COPYRIGHT NOTICE
 THIS DRAWING AND THE INFORMATION IT CONVEYS ARE THE PROPERTY OF HAMMOND MANUFACTURING. IT MAY NOT BE REPRODUCED, TRANSMITTED OR USED IN ANY MANNER WHATSOEVER WITHOUT THE WRITTEN PERMISSION OF HAMMOND MANUFACTURING.

REV	NOTES	BY	DATE	REV	NOTES	BY	DATE
1	REVISED LEAD COLOURS CORRECTED FREQ. RESP.	CB	03/31/15				

HAMMOND MANUFACTURING. ELECTRONIC DIVISION
 52 RANKIN PLACE,
 WATERLOO, ONTARIO, N2J 3Z5
 PHONE: 519.886.6181 FAX: 519.886.9540

1750WR

DRAWN C. BACIK	DATE 03/30/15	NUMBER
APPROVED	DATE	EDB1750WR