

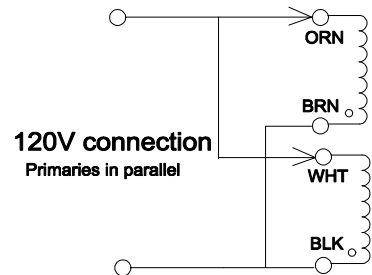
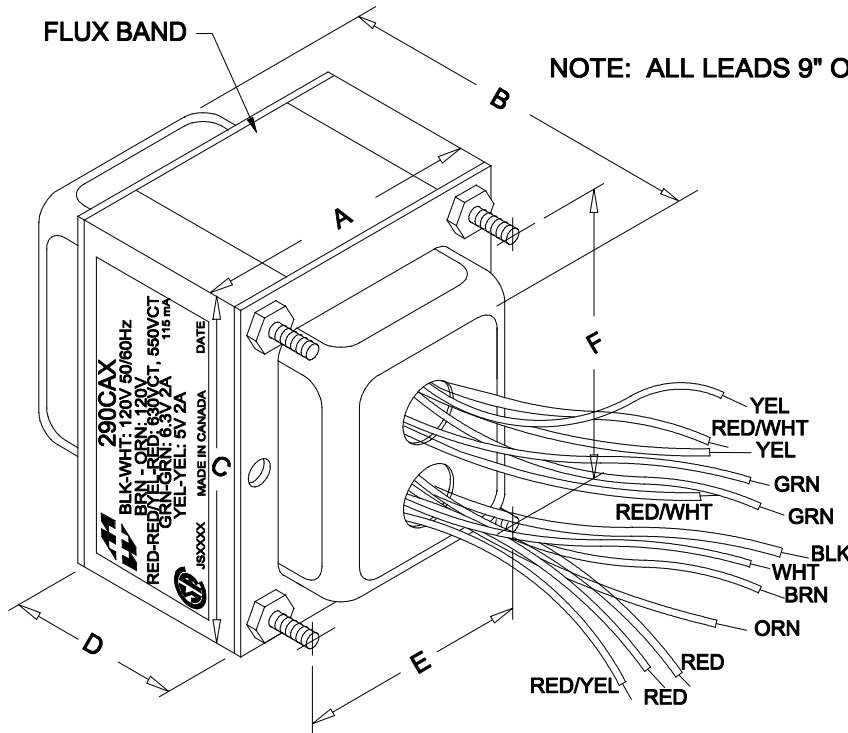
290CAX

FLUX BAND

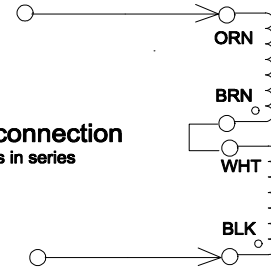
NOTE: ALL LEADS 9" OUT MIN., STRIPPED .5"

DIMENSIONS:

A	2.500" ±0.063
B	3.630" ±0.063
C	3.000" ±0.063
D	2.000" ±0.063
E	2.000" ±0.063
F	2.500" ±0.063

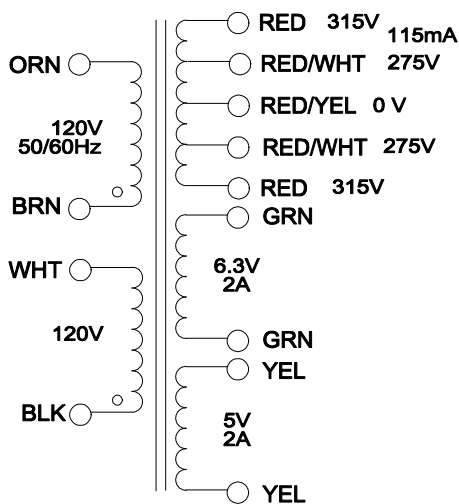


240V connection
Primaries in series



Fender Vibrolux Tweed
Fender , Harvard

PRIMARY SECONDARY



ELECTRICAL DATA:

Turns ratio:	1 : 5.61 (RED - RED)	
Exciting Current	@ 120V, 60Hz, BLK - WHT = 200mA	Max.
DCR	@ 20C, BLK - WHT = 7.154 Ω ±20%	
	@ 20C, BLK - WHT = 7.617 Ω ±20%	
	@ 20C, RED - RED = 188.0 Ω ±20%	
	@ 20C, GRN - GRN = 0.099 Ω ±20%	
	@ 20C, YEL - YEL = 0.080 Ω ±20%	
Pri. Voltage	120V (parallel) / 240V (series) , 50 / 60Hz	
Sec. Voltage (RMS)	630VCT / 550V @ 115mA rms / 6.3V @ 2A / 5V @ 2A	
No Load Voltage	673.0V / 587.0V CT / 6.76V / 5.28V	



**HAMMOND
ELECTRONICS**

52 RANKIN PLACE,
WATERLOO, ONTARIO, N2L 3Z5.
PHONE (519) 886-6181
FAX # (519) 886-9540

TITLE **POWER TRANSFORMER**

		DR BY	DH
		DATE	10/10/12
NO	DATE	REVISION	DIM IN(X)MM()

290CAX