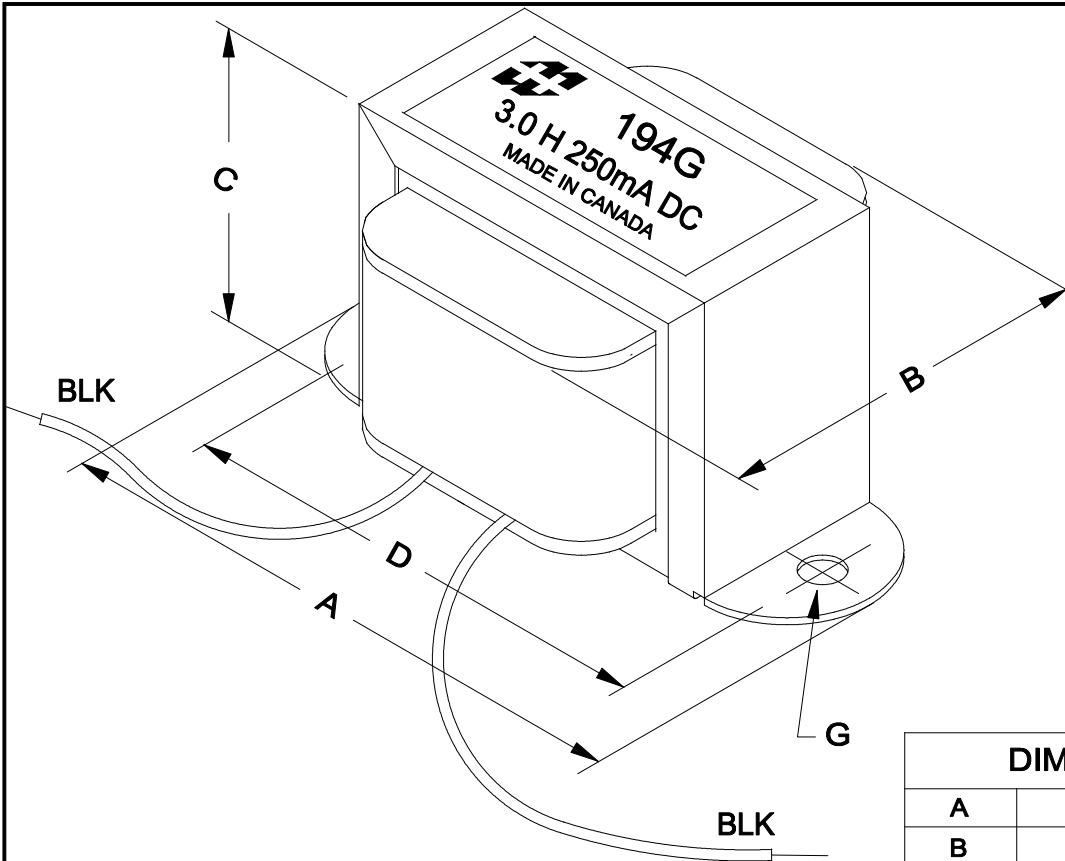


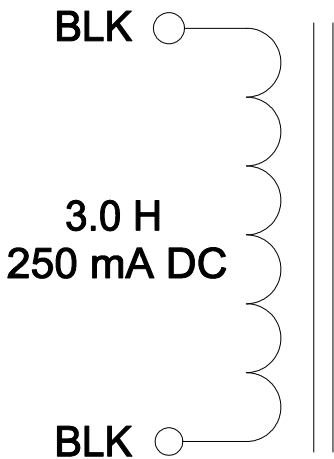
194G



NOTE: ALL LEADS 6.0" LONG.

**DIMENSIONS:**

|   |               |
|---|---------------|
| A | 3.250" ±0.063 |
| B | 2.000" ±0.125 |
| C | 2.000" ±0.063 |
| D | 2.810" ±0.063 |
| G | 0.188" ±0.015 |



**ELECTRICAL DATA:**

|                 |                                |
|-----------------|--------------------------------|
| DCR             | @ 20C, BLK - BLK = 80.0 Ω ±15% |
| Pri. Inductance | 3.0 H @ 250 mA DC +/- 15%      |
|                 |                                |
|                 |                                |
|                 |                                |
|                 |                                |
|                 |                                |
|                 |                                |
|                 |                                |
|                 |                                |

**HAMMOND ELECTRONICS**  
 52 RANKIN PLACE,  
 WATERLOO, ONTARIO, N2L 3Z5.

PHONE (519) 886-6181  
 FAX # (519) 886-9540

|                      |      |          |                  |      |
|----------------------|------|----------|------------------|------|
| TITLE                |      |          |                  | 194G |
| Choke 3 H , Marshall |      |          |                  |      |
|                      |      |          | DR BY<br>D.Hutt  |      |
|                      |      |          | DATE<br>08/11/12 |      |
| NO                   | DATE | REVISION | DIM IN(X)MM( )   |      |